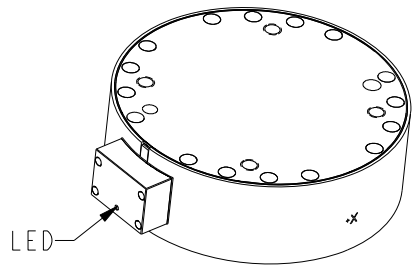


LEMO CONNECTOR
 EEG.IT.308.CLL
 MATING CONNECTOR
 FGG.IT.308.CYCC60Z

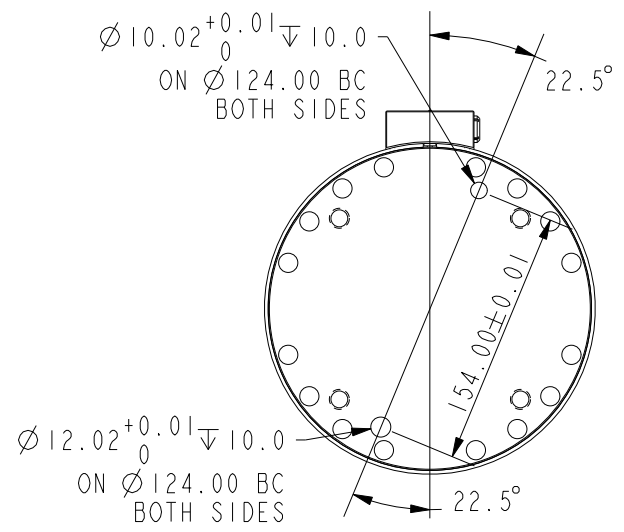
THE OUTPUT IS POSITIVE WHEN THE LOAD IS APPLIED TO THE TOOL SIDE PER COORDINATE AS SHOWN. ALL CHANNELS ARE STRUCTURALLY DECOUPLED EMBEDDED AMPLIFIER INLCUDED.

LED STATUS	SENSOR STATUS
OFF	POWER OFF
FLIKER	WORK PROPERLY
ON	ABNORMAL



	Fx	Fy	Fz	Mx	My	Mz
CAPACITY (N/Nm)	3600	3600	9000	700	700	700
OUTPUT	ETHERCAT					
RESOLUTION (N/Nm)	0.49	0.49	1.5	0.093	0.093	0.093

CONNECTOR PIN ASSIGNMENT			
PIN # / COLOR	FUNCTION	PIN # / COLOR	FUNCTION
1 BLUE	+24V	5 WHITE/GREEN	RDP
2 WHITE/BLUE	GND	6 GREEN	RDN
3 WHITE/ORANGE	TDP	7 WHITE/BROWN	RX
4 ORANGE	TDN	8 BROWN	TX



SPECIFICATIONS	
POWER SUPPLY (V)	24V(15-30V)
Current (mA) nominal	120
Current (mA) peak	200
OVERLOAD CAPACITY (%F.S.)	1000
LOWEST FREE AIR RESONANT FREQ. (HZ.)	1400
CROSSTALK (%F.S.)	2.5
NON-LINEARITY (%F.S.)	0.5
HYSTERESIS (%F.S.)	0.5
OPERATING TEMP. RANGE (°C)	-40 TO +90
COMPENSATED TEMP. RANGE (°C)	10 TO 70
MASS (KG)	8.6

SUNRISE INSTRUMENTS
www.srisensor.com

SIX AXIS LOADCELL WITH OL STOPS & AMP
 DI99MM F3600N, IP65

UNLESS OTHERWISE SPECIFIED DIMENSIONS ARE IN MM	M4314KC	REV. D
--	---------	-----------