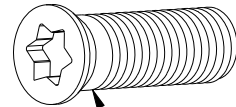
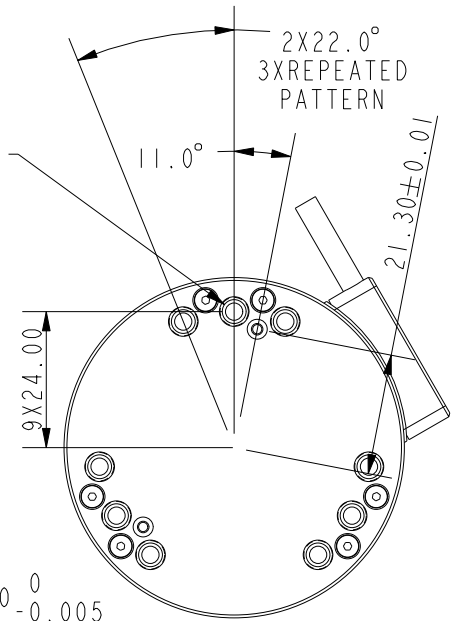
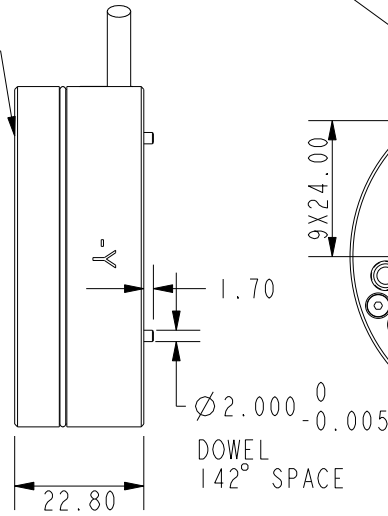


MAY USE MACHINE TOOL TOREX SCREW FOR SPACE SAVING. TORQUED TO 8NM



MACHINE TOOL TOREX SCREW ILLUSTRATION ONLY

WIRING CODE		
NO.	FUNCTION	COLOR
1.	+24	RED
2.	GND	BLACK
3.	CAN_H	WHITE&BLUE
4.	CAN_L	WHITE
5.	RS232_TX	BLUE
6.	RS232_RX	YELLOW

SPECIFICATIONS	
POWER SUPPLY	+12V~+48V
OVERALL ACCURACY (%F.S.)	1.5
OPERATING TEMP. RANGE (°C)	-20 TO +90
SAMPLING RATE (Hz)	2000
MASS (KG)	0.13

	Fx	Fy	Fz	Mx	My	Mz
CAPACITY (N/Nm)	300N	300N	300N	60Nm	60Nm	60Nm
OVERLOAD CAPACITY	1500N	1500N	1500N	150Nm	150Nm	150Nm
PEAK-TO-PEAK NOISE = 6.6 X RMS NOISE (EFFECTIVE RESOLUTION) NOISE IS MEASURED AT SAMPLING RATE 500HZ						
PEAK-TO-PEAK NOISE	0.5N	0.5N	0.9N	0.03Nm	0.03Nm	0.02Nm
EFFECTIVE RESOLUTION	0.08N	0.08N	0.14N	0.005Nm	0.005Nm	0.003Nm

SUNRISE INSTRUMENTS
www.srisensor.com

SIX AXIS CIRCULAR LOAD CELL
D60MM, F300N, CAN OR RS232

UNLESS OTHERWISE SPECIFIED DIMENSIONS ARE IN MM	M413S1J	REV. 0.1
--	---------	-------------