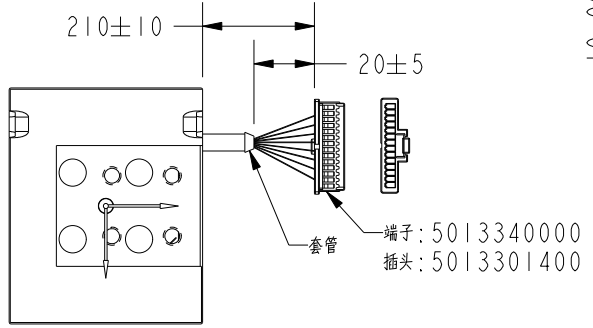
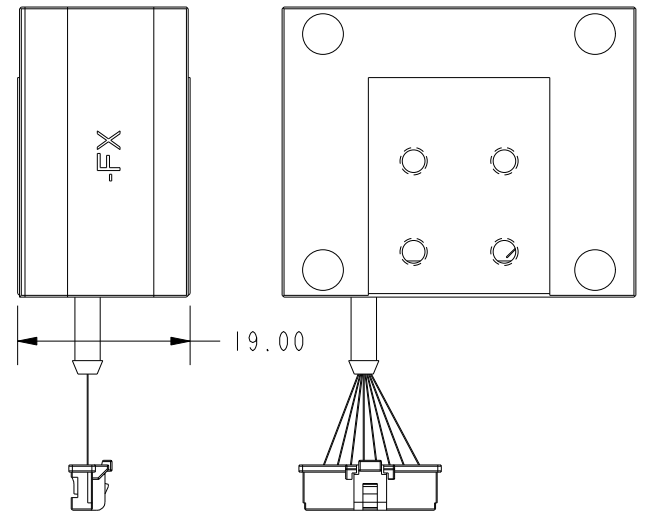
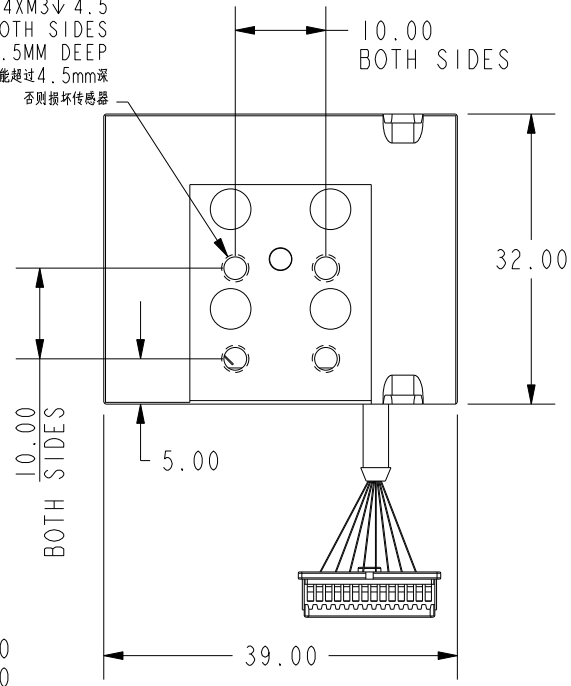


4X M3 4.5  
BOTH SIDES  
DO NOT EXCEED 4.5MM DEEP  
螺丝不能超过4.5mm深  
否则损坏传感器



POSITIVE OUTPUT WHEN THE LOAD IS APPLIED TO THE UPPER PORTION PER COORDINATE SYSTEM

	Fx	Fy	Fz	Mx	My	Mz
<b>CAPACITY (N)</b>	300	300	300	NA	NA	NA
<b>OUTPUT (mV/V)</b>	0.2	0.2	0.12	NA	NA	NA
<b>BRIDGE RES. (Ω)</b>	700	700	700	NA	NA	NA

SPECIFICATIONS	
EXCITATION MAX. (V)	5
OVERLOAD CAPACITY (%F.S.)	300
CROSSTALK (%F.S.)	2.5
NON-LINEARITY (%F.S.)	0.5
HYSTERESIS (%F.S.)	0.5
OPERATING TEMP. RANGE (°C)	-40 TO +100
COMPENSATED TEMP. RANGE (°C)	10 TO 70
MASS (KG)	0.015

**WIRING CODE - TWISTED PAIR WIRES**

PIN#	COLOR	FUNCTION	PIN#	COLOR	FUNCTION
1	Shield	NA	8	BROWN	+FZ
2	RED	+E	9	/	NA
3	GREEN-ST	-FX	10	/	NA
4	GREEN	+FX	11	YELLOW-ST	-FY
5	/	NA	12	YELLOW	+FY
6	/	NA	13	BLACK	-E
7	BROWN-ST	-FZ	14	/	NA

Note: XXXX-ST(e.9.GREEN-ST)-WITH SHRINK TUBE,SHIELD TO SENSOR BODY

**SUNRISE INSTRUMENTS**  
[www.srisensor.com](http://www.srisensor.com)

THREE AXIS SQUARE LOAD CELL  
32X39X19MM, F300N

UNLESS OTHERWISE SPECIFIED DIMENSIONS ARE IN MM	M4312G5	REV. C
--	---------	-----------