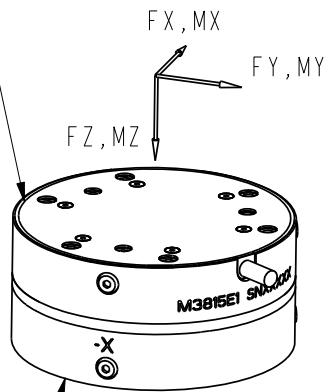


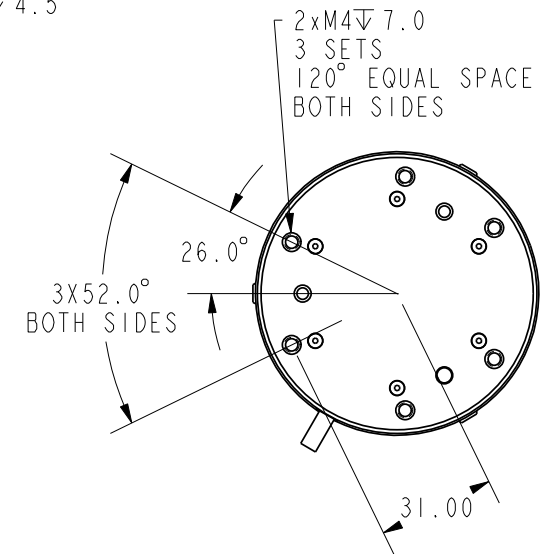
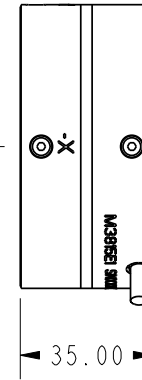
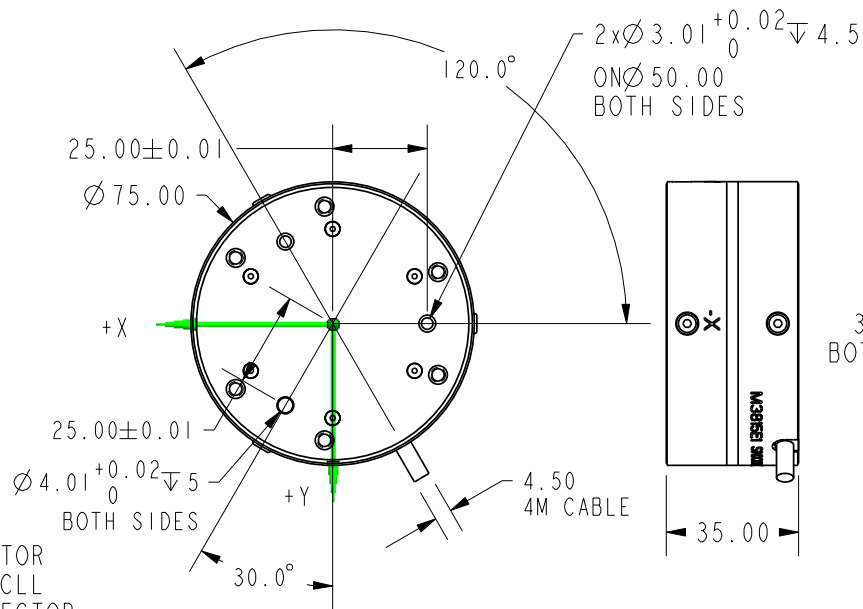
MOUNTING ROBOT ARM
TO THIS SIDE



LEMO CONNECTOR
EEG.2K.316.CLL
MATING CONNECTOR
FGG.2K.316.CLAD52Z

MOUNTING TOOL
TO THIS SIDE

THE OUTPUT IS POSITIVE WHEN THE LOAD IS
APPLIED TO THE TOOL SIDE PER COORDINATE AS
SHOWN. A 6X6 MATRIX IS PROVIDED FOR DECOUPLING



SPECIFICATIONS

POWER SUPPLY (V)	±15V
OVERLOAD CAPACITY (%F.S.)	1000
LOWEST FREE AIR RESONANT FREQ. (HZ.)	950
CROSSTALK - WITH ADJUSTMENT (%F.S.)	2
NON-LINEARITY (%F.S.)	0.5
HYSTERESIS (%F.S.)	0.5
OPERATING TEMP. RANGE (°C)	-40 TO +100
COMPENSATED TEMP. RANGE (°C)	10 TO 70
MASS (KG)	0.58

	Fx	Fy	Fz	Mx	My	Mz
CAPACITY (N/Nm)	520	520	520	40	40	40
OUTPUT @ F.S.(V)	5	5	5	5	5	5

PIN # ASSIGNMENT

COLOR	FUNCTION	COLOR	FUNCTION	COLOR	FUNCTION
Green & Black Red & Black	GND	Green(White)	+CHN2	White(Orange)	-CHN4
Orange&Black Blue(Black)	+15V	White(Green)	-CHN2	Blue(White)	+CHN5
Black(Blue)	-15V	Red(White)	+CHN3	White(Blue)	-CHN5
Yellow(White)	+CHN1	White(Red)	-CHN3	Yellow(Black)	+CHN6
White(Yellow)	-CHN1	Orange(White)	+CHN4	Black(Yellow)	-CHN6

SUNRISE INSTRUMENTS

www.srisensor.com

SIX AXIS LOADCELL WITH OL STOPS & AMP
D75MM F520N, IP60

UNLESS OTHERWISE SPECIFIED
DIMENSIONS ARE IN MM

M3815E1

REV.
B