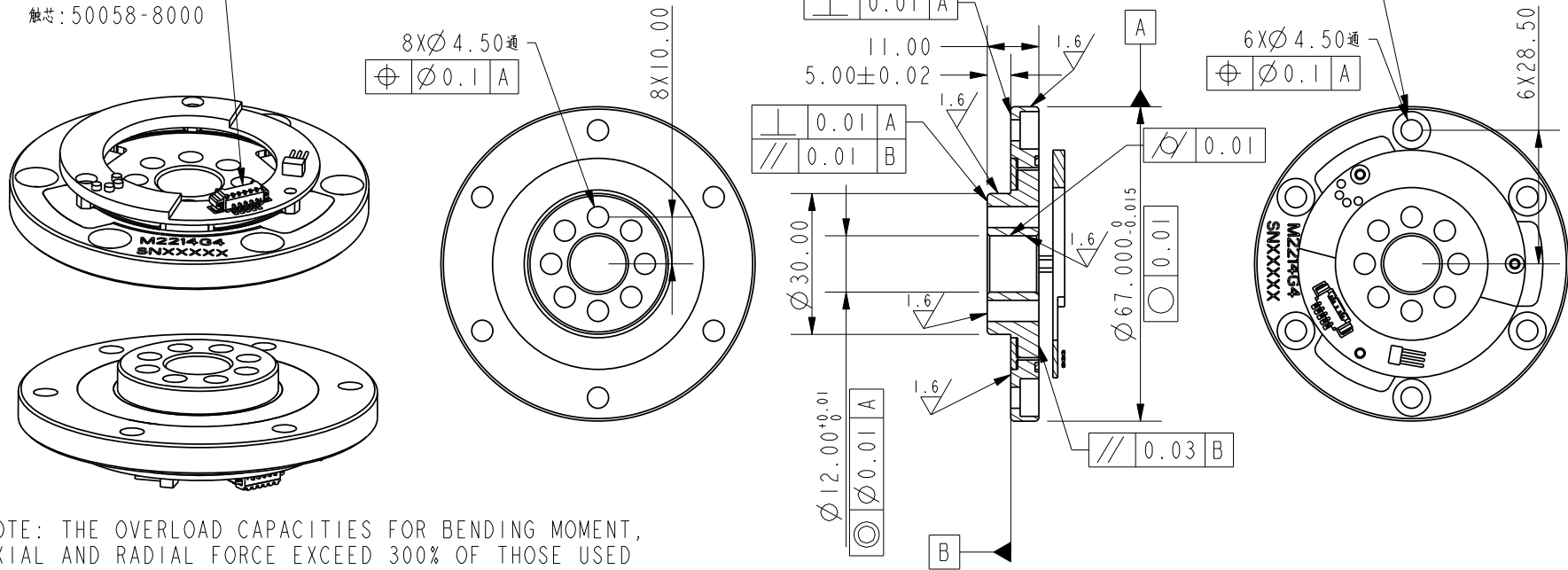


插座: 53261-0571
 插头: 51021-0500
 触芯: 50058-8000



NOTE: THE OVERLOAD CAPACITIES FOR BENDING MOMENT, AXIAL AND RADIAL FORCE EXCEED 300% OF THOSE USED FOR CROSSTALK MEASUREMENT

ATTENTION: RED WIRE MUST BE CONNECTED TO POSITIVE SUPPLY VOLTAGE AND BLACK TO GROUND. OTHERWISE CIRCUIT MAY GET DAMAGED!

DRAWING IN THIRD ANGLE PROJECTION

SPECIFICATIONS

CAPACITY (Nm)	60
OVERLOAD CAPACITY (%F.S.)	300
DIGITAL OUTPUT	RS485
POWER SUPPLY (V)	5±0.1V, 250MA
BRIDGE RESISTANCE (Ω) NOMINAL	350
NON-LINEARITY	0.5
HYSTERESIS (%F.S.)	1.0
OPERATING TEMP. RANGE (°C)	-20 TO +100
CROSSTALK (%F.S.)	1.0
AXIAL FORCE FOR CROSSTALK (N)	120
RADIAL FORCE FOR CROSSTALK (N)	240
BENDING MOMENT FOR CROSSTALK (Nm)	10
TORSION ANGLE (CALCULATED)	0.05°
TORSIONAL STIFFNESS (KNm/RAD)	68
BENDING STIFFNESS (KNm/RAD)	11
MASS (KG)	0.14

WIRING CODE

COLOR	FUNCTION
RED	+EX
GREEN	RS485-A
BLACK	GND
BROWN	RS485-B

SUNRISE INSTRUMENTS

www.srisensor.com

SINGLE AXIS TORQUE LOADCELL
 D67MM, 60 Nm

UNLESS OTHERWISE SPECIFIED
 DIMENSIONS ARE IN MM

M2214G4

REV.
 D