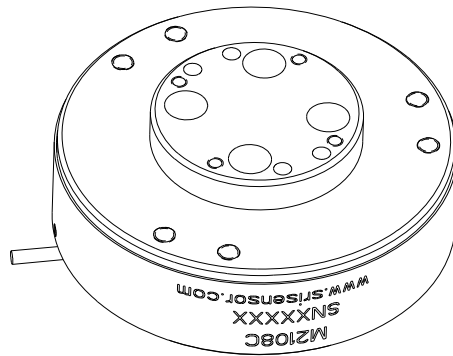
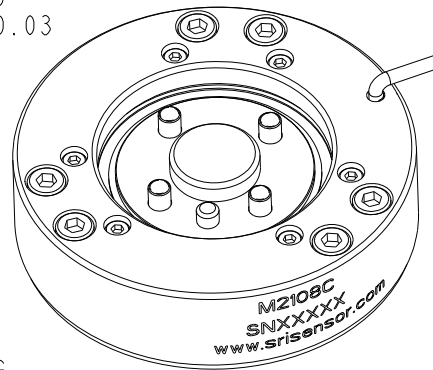


5M CABLE TO AMP  
IM CABLE EXIT  
FROM AMP  
PIGTAIL

RESOLUTION IS DEFINED WITH VISIBLE  
CHANGE WHEN MINIMUM LOAD IS QUICKLY  
APPLIED OR REMOVED AT 200 HZ SAMPLING  
RATE WITH INTERFACE BOX M8128C6



SPECIFICATIONS	
CAPACITY (N)	100.0
OVERLOAD CAPACITY (%F.S.)	600
OVERLOAD CAPACITY BENDING MOMENT	100N @ 100MM
OUTPUT WITH RESPECT TO SIG GROUND	1V TO 9V
INPUT POWER	24V
BRIDGE RESISTANCE (Ω) NOMINAL	525
NON-LINEARITY (%F.S.)	1.0
HYSTERESIS (%F.S.)	1.0
OPERATING TEMP. RANGE (°C)	-20 TO +85
RESOLUTION	0.02 N
MASS (KG)	0.24

WIRING CODE	
COLOR	FUNCTION
RED	PWR (24V)
GREEN	+SIG
BLACK	PWR GND
BROWN	SIG GND

**SUNRISE INSTRUMENTS**  
**www.srisensor.com**

SINGLE AXIS LOADCELL 100N  
WITH OVERLOAD PROTECTION

UNLESS OTHERWISE SPECIFIED  
DIMENSIONS ARE IN MM

M2108C

REV.  
A